

PROP STAND AND JOCKEY WHEEL



JOCKEY WHEEL AND PROP STAND

The product can be used:

- for stabilizing trailer nose,
- as stay-bar for trailer,
- with jockey wheel to move the trailer easily

Surface treatment:

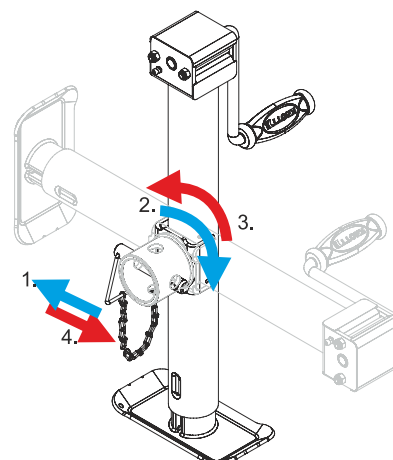
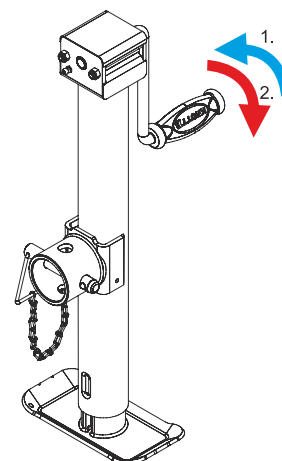
hot dip galvanization or galvanization

Vertical load capacity:

50 - 1500 kg

Advantages of the product

- has low maintenance cost
- has a swing away option for comfortable and safe use
- wheel is given with needle roller or sliding bearing
- has a steel plate driving level with bearing and pin of d=5 mm
- has automat or fix jockey wheel
- has a 90° slue out
- has a universal crank



OPERATION OF THE SWING-AWAY SWIVEL JACK



Thanks to the swing-away swivel, traveling with jockey wheel and prop stand (jack) is safer. Before traveling with your trailer put the jack into horizontal position, in this way the wheel is not able to touch the ground that prevents fraying. To use the jack when the vehicle is not moving put the jack into vertical position.

In both vertical and horizontal positions, the plunger must be securely positioned in the mating hole of the mounting bracket.

Operating instruction of the swing-away swivel:

1. Pull the plunger pin (U-bolt) out of the opening
2. Swivel the jack
3. Rotate either left or right until the plunger pin snaps properly into the hole of the mounting bracket.

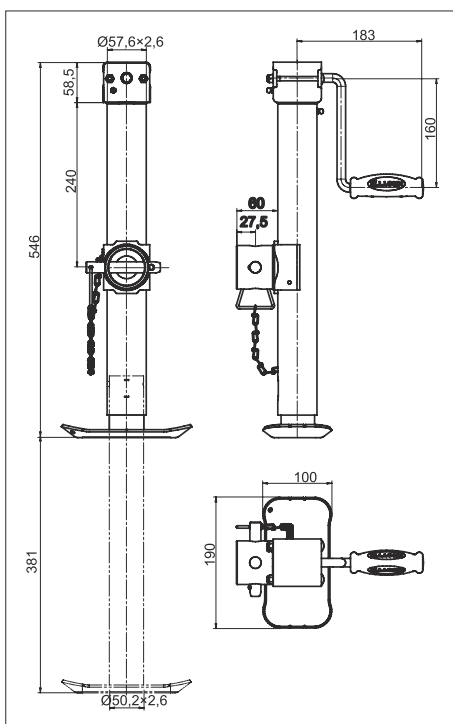


Please ask for further information about the assembly and operating Instruction of the Autoflex Tongue Jack from our contact person.

PROP STAND FOR TRAILERS



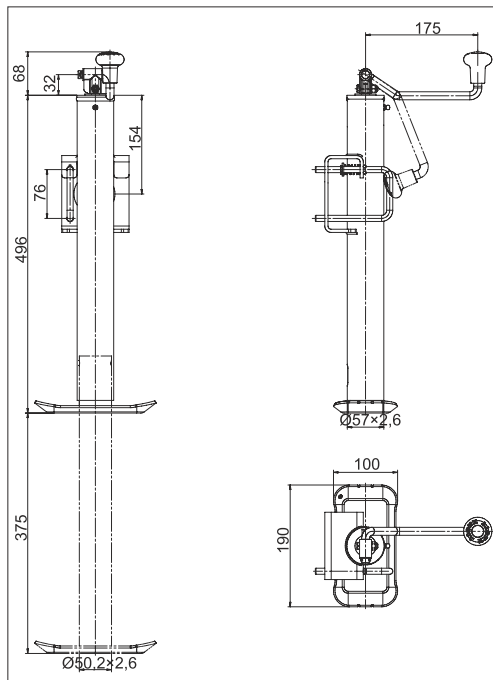
1



2



3



4

Nr.	Model	Vertical load kg (max.)	Notice	Article number
1	TTL 57	900	Hot dip galvanized + KTL + powder coated	6D7917.001
2	TTL 57	900	Hot dip galvanized + KTL + powder coated	6D7907.001
3	TTL 57	900	Hot dip galvanized + KTL + powder coated	6D7931.001
4	TTL 57	900	Hot dip galvanized + KTL + powder coated	6D7975.001

SWING-AWAY SWIVEL JACK



1

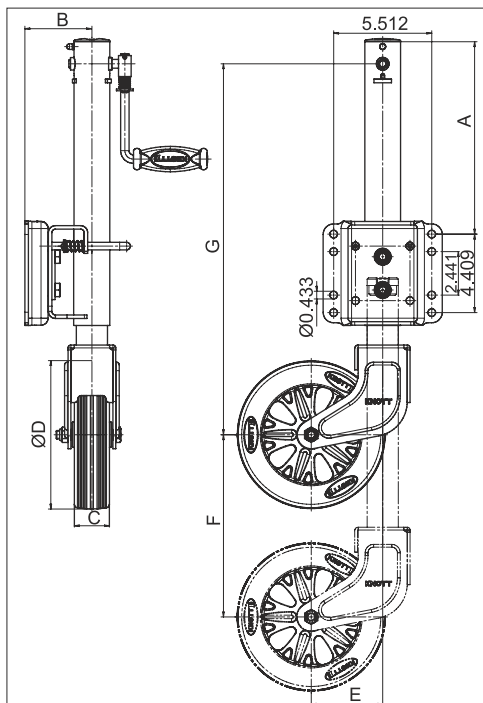


2

Model	Load capacity (LBs)	Lifting height (in)	Handle	Article No.
TK51-150/46M	1200	10¾	Sidewind	6D7733.001
TK51-210/50M	1200	10¾	Sidewind	6D7710.001
TK57-210/75M	2500	11¾	Sidewind	6D7706.001



3



Size (in)	6D7733	6D7710	6D7706
A	10.811	10.811	12.870
B	3.742	3.742	3.904
C	1.811	1.969	2.953
ØD	5.906	8.342	8.419
E	2.047	4.016	4.016
F	10.295	10.295	11.850

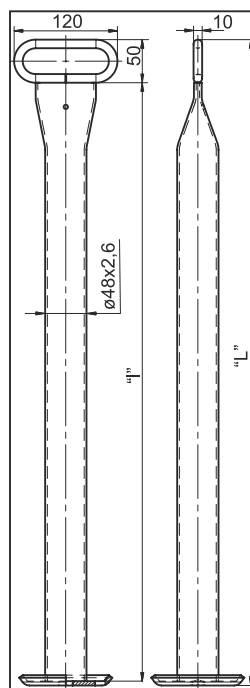
PROP STAND FOR TRAILERS



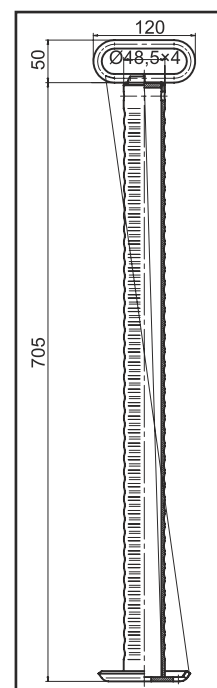
TL 48

Load capacity max. 280 kg, fixation with clamp

L (mm)	l (mm)	Surface	Article number
590	535	hot-dip galvanised	6D5749.001
590	535	FeZn12	6D5749.002
710	655	hot-dip galvanised	6D5749.003
710	655	FeZn12	6D5749.004
900	845	hot-dip galvanised	6D5749.005
900	845	FeZn12	6D5749.006
550	495	hot-dip galvanised	6D5749.007
550	495	FeZn12	6D5749.008
650	595	hot-dip galvanised	6D5749.009
650	595	FeZn12	6D5749.010
750	695	hot-dip galvanised	6D5749.011
750	695	FeZn12	6D5749.012
850	795	hot-dip galvanised	6D5749.013
850	795	FeZn12	6D5749.014



TL 48 H

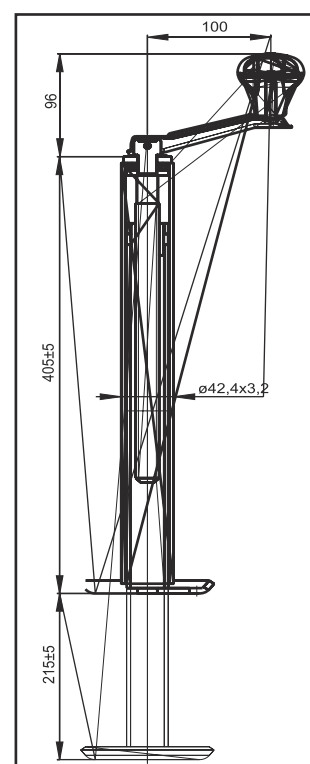


Model	Vertical load kg (max.)	Notice	Article number
TL 48 H	280	fixation with clamp	6D6585.001

TELESCOPIC PROP STAND FOR TRAILERS

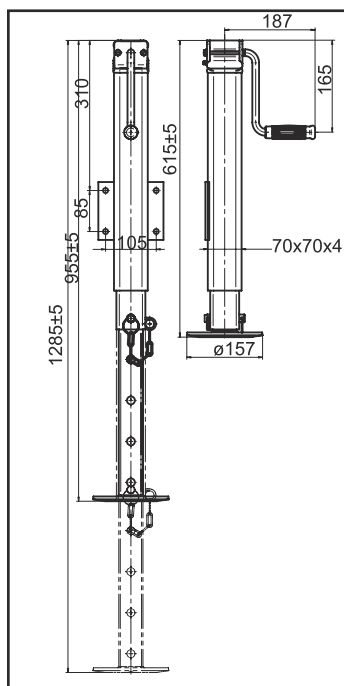


TTL 42



Model	Vertical load kg (max.)	Notice	Article number
TTL 42	250	fixation with clamp	6D5981.001

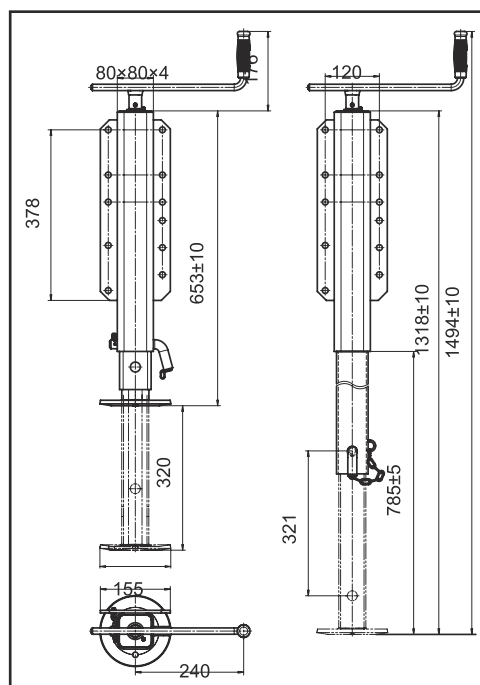
HEAVY-DUTY TELESCOPIC PROP STAND FOR TRAILERS



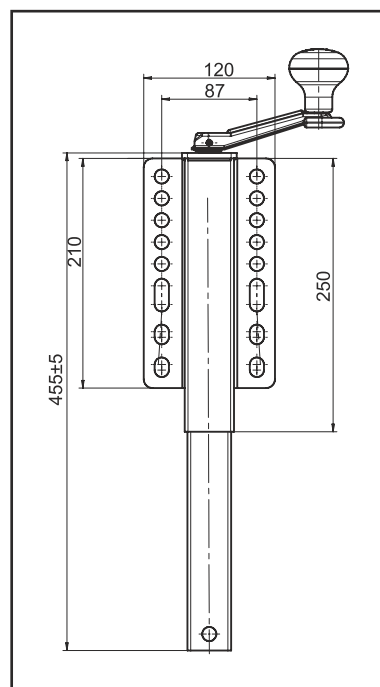
TTLS 70



TTL 205×120



TTL 80



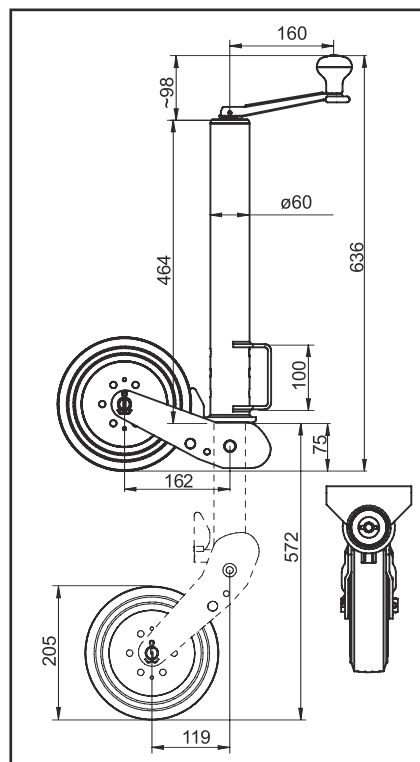
Model	Vertical load kg (max.)	Notice	Article number
TTLS 70	1500	fixation with bolt	6D6334.001
TTL 80	1500	fixation with bolt	6D6888.001
TTL 205×120	1500	fixation with bolt	6D7877.001

RETRACTABLE JOCKEY WHEEL FOR TRAILERS AND CARAVANS

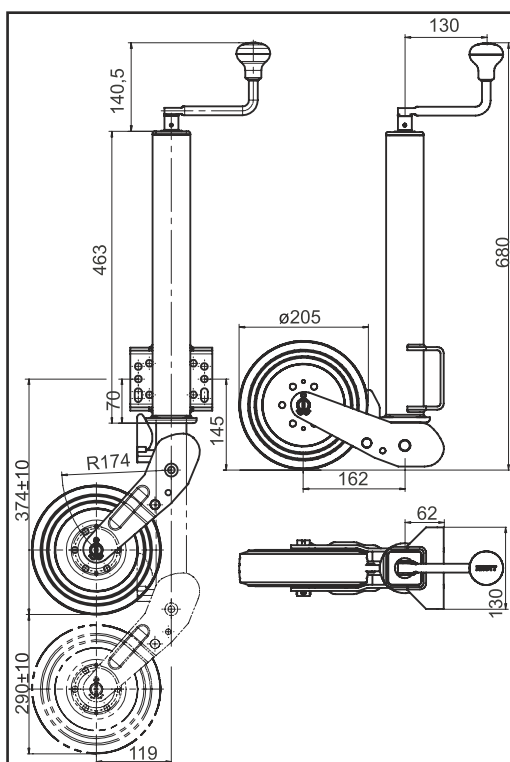


round

ATK60-205/50 AC



Type	Vertical load (max. kg)	Wheel material	Wheel size	Article number
ATK60-205/50 AC	150	solid rubber + sheet metal rim + slide bearing	205×50	6D5093.001
ATKS60-205/50 AC	150	solid rubber + sheet metal rim + slide bearing	205×50	6D5532.001



square

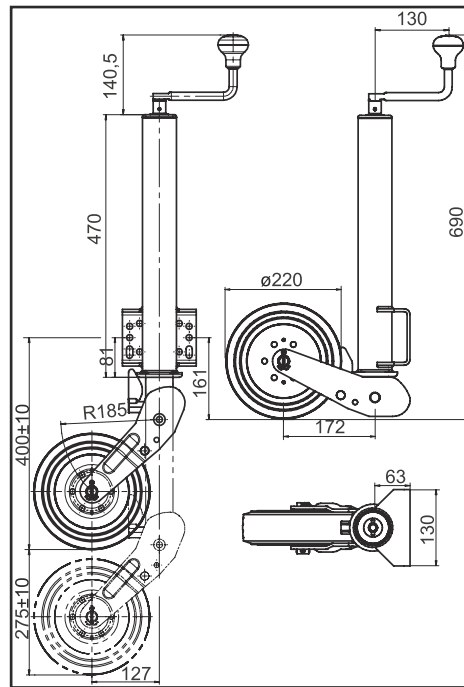


ATKS60-205/50 AC

RETRACTABLE JOCKEY WHEEL FOR TRAILERS AND CARAVANS



ATK60-220/70 AC



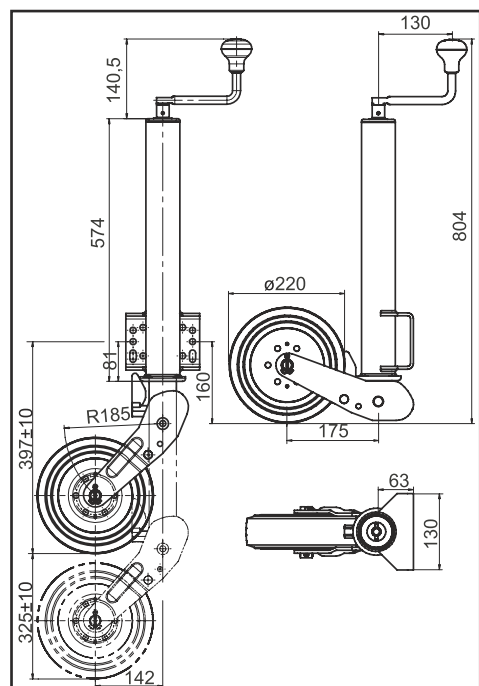
Type	Vertical load (max. kg)	Wheel material	Wheel size	Article number
ATK60-220/70 AC	150	solid rubber + sheet metal rim + needle bearing	220×70	6D5345.001
ATK60S-220/70 AC	250	solid rubber + sheet metal rim + needle bearing	220×70	6D7882.001



ATK60S-220/70 AC



New safety solution!



Automatic jockey wheel with safety function

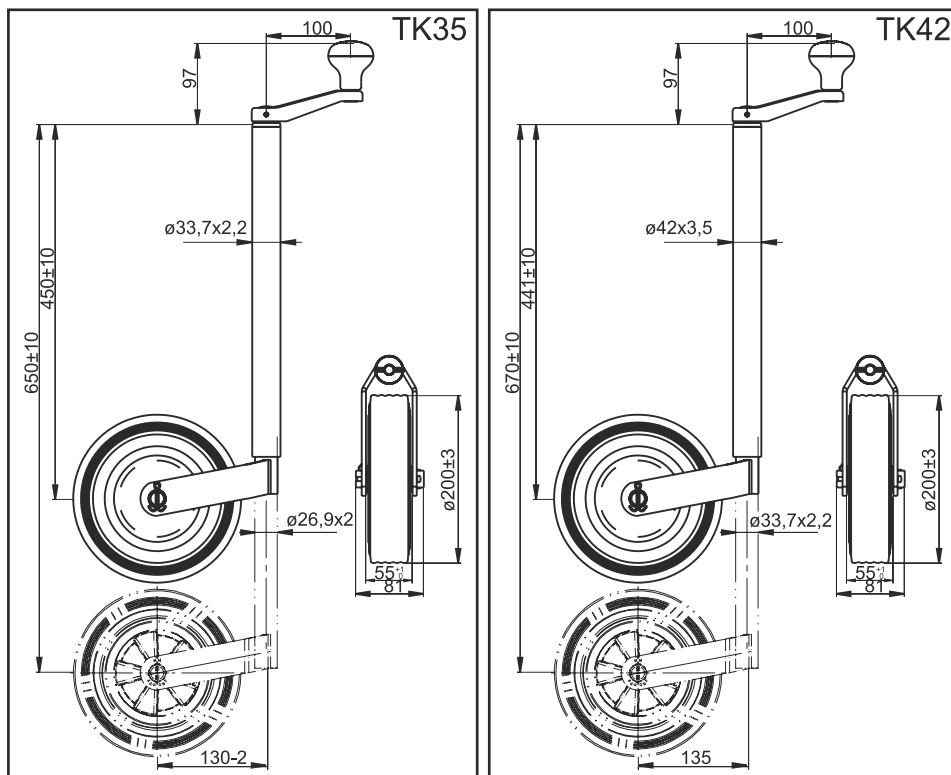
ATK60S jockey wheel supports any type of drawbar for mono or tandem trailer with a maximum of 3500 kg load capacity.

The new construction of the product prevents the possibility of a sudden folding of the swing wheel to avoid the threat of an accident. The swing wheel can only be revolved when it is not under load.

TELESCOPIC JOCKEY WHEEL FOR TRAILERS AND CARAVANS



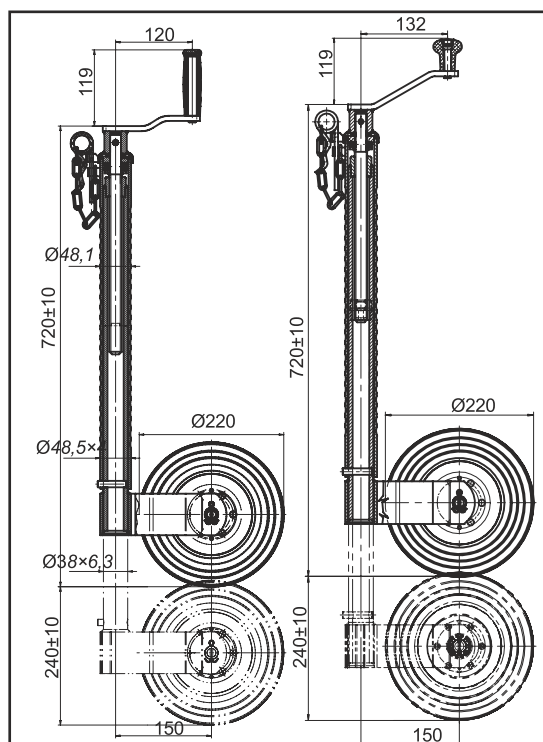
TK35-200/40
TK42-200/40



Type	Vertical load (max. kg)	Wheel material	Wheel size	Article number
TK35-200/40 M	75	solid rubber + plastic rim + slide bearing	200×40	6D5757.002
TK35-200/40 AC	75	solid rubber + sheet metal rim + slide bearing	200×40	6D5758.002
TK42-200/40 M	100	solid rubber + plastic rim + slide bearing	200×40	6D5802.001
TK42-200/40 AC	100	solid rubber + sheet metal rim + slide bearing	200×40	6D5800.001
TK48-220/70 H AC	125	solid rubber + sheet metal rim + needle bearing	220×70	6D5949.001
TK48-220/70 H/AC	150	solid rubber + sheet metal rim + needle bearing	220×70	6D6146.001



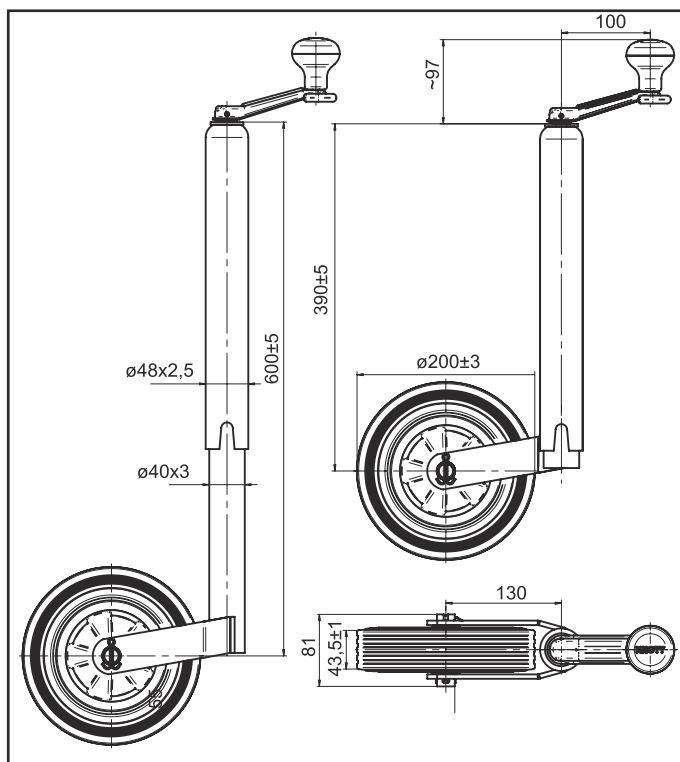
TK48-220/70 H/AC



TELESCOPIC JOCKEY WHEEL FOR TRAILERS AND CARAVANS



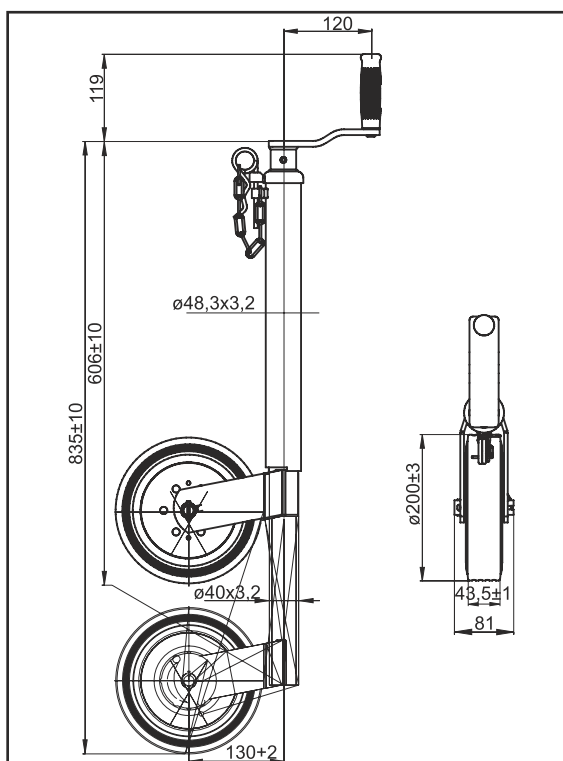
TK48-200/40



Type	Vertical load (max. kg)	Wheel material	Wheel size	Article number
TK48-200/40 M	125	solid rubber + plastic rim + slide bearing	200×40	6D5143.001
TK48-200/40 M	125	solid rubber + plastic rim + slide bearing	200×40	6D6307.001
TK48-200/40 AC	125	solid rubber + sheet metal rim + slide bearing	200×40	6D5807.001
TK48-200/40 AC	125	solid rubber + sheet metal rim + needle bearing	200×40	6D5915.001



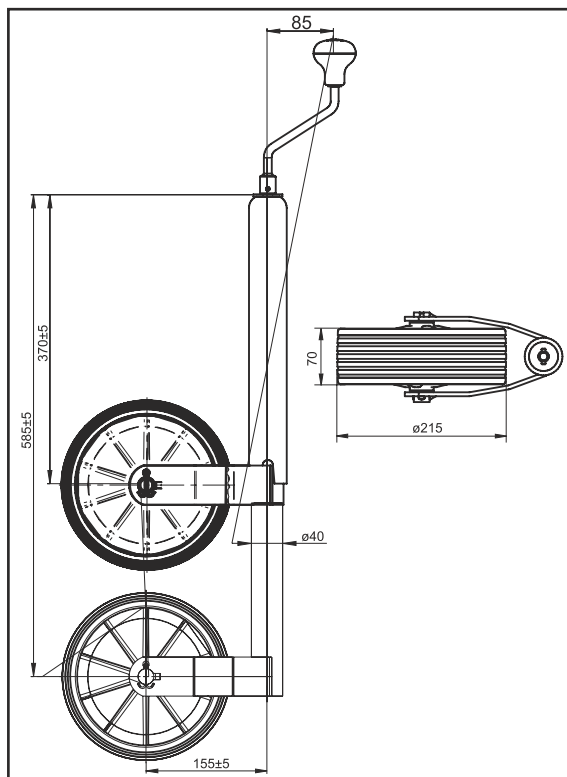
TK48-200/40 AC



TELESCOPIC JOCKEY WHEEL FOR TRAILERS AND CARAVANS



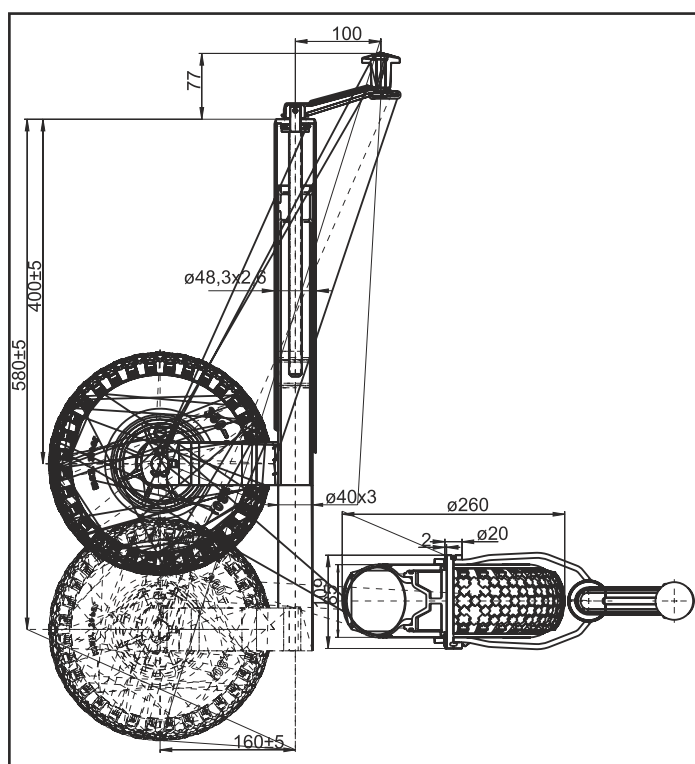
TK48-215/70 M



Type	Vertical load (max. kg)	Wheel material	Wheel size	Article number
TK48-215/70 M	125	solid rubber + plastic rim + slide bearing	215×70	6D5896.001
TK48-260/85 M	125	pneumatic wheel + plastic rim + slide bearing	260×85	6D6368.001
TK48-260/85 AC	125	pneumatic wheel + sheet metal rim + needle bearing	260×85	6D5353.001



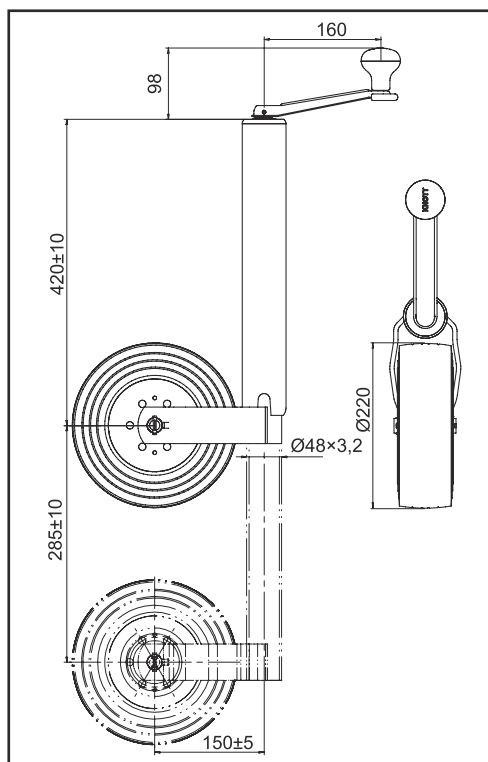
TK48-260/85



TELESCOPIC JOCKEY WHEEL FOR TRAILERS AND CARAVANS



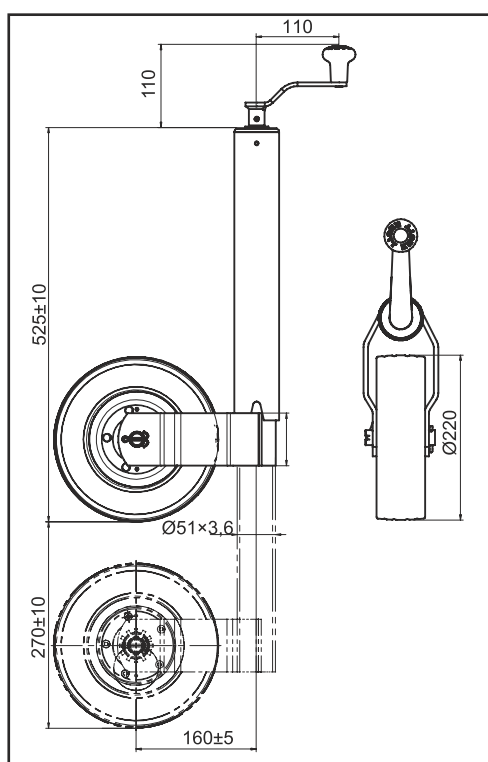
TK60-220/70 AC



Type	Vertical load (max. kg)	Wheel material	Wheel size	Article number
TK60-220/70 AC	150	solid rubber + sheet metal rim + needle bearing	220×70	6D6163.001
TK60-220/70 AC	150	solid rubber + sheet metal rim + slide bearing	220×70	6X1094.001



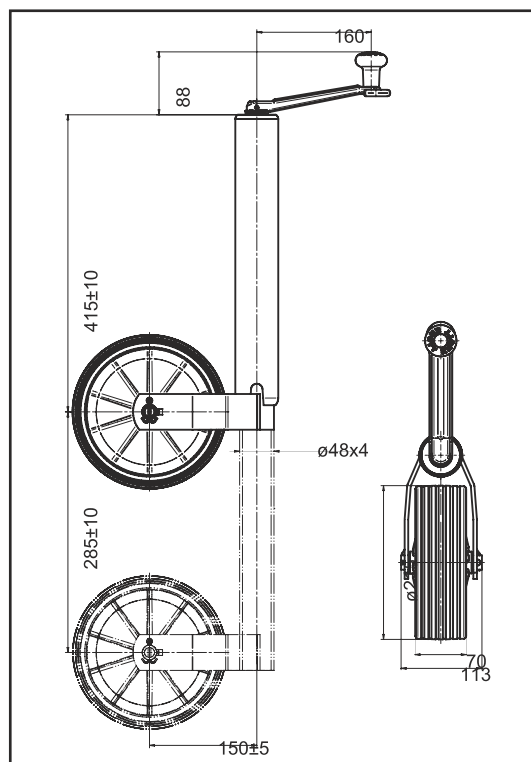
TK60-220/70 AC



TELESCOPIC JOCKEY WHEEL FOR TRAILERS AND CARAVANS



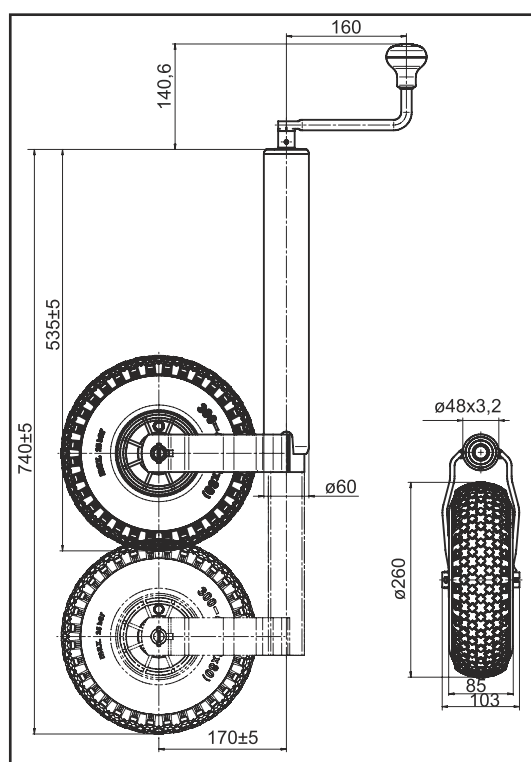
TK60-215/70 M



Type	Vertical load (max. kg)	Wheel material	Wheel size	Article number
TK60-215/70 M	150	solid rubber + plastic rim + slide bearing	215×70	6D6153.001
TK60-260/85 M	150	pneumatic wheel + plastic rim + slide bearing	260×85	6D6183.001



TK60-260/85 M

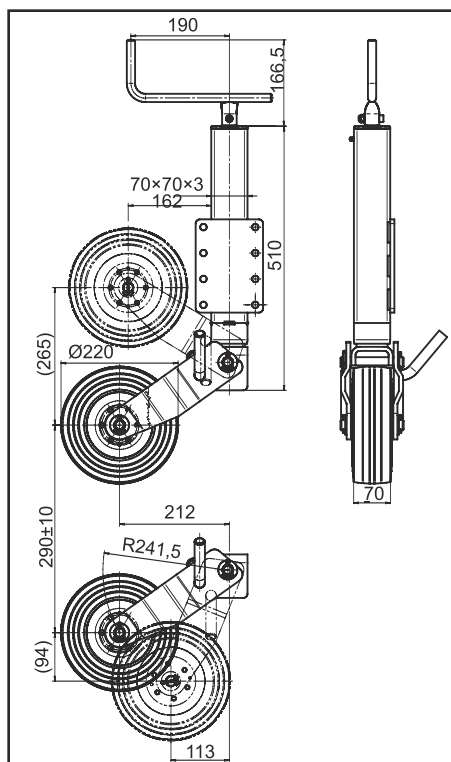


HEAVY-DUTY TELESCOPIC JOCKEY WHEEL FOR TRAILERS



square

TKS70-220/70 AC

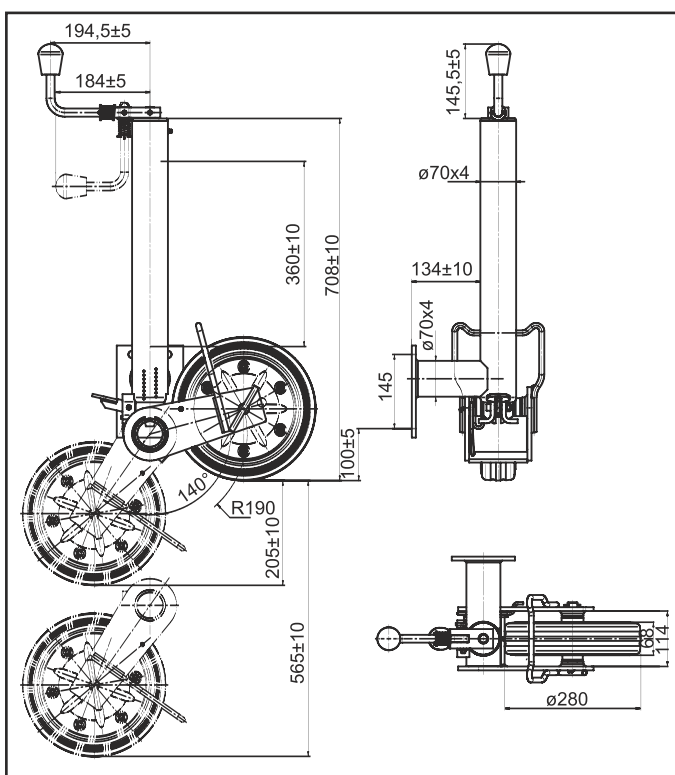


Type	Vertical load (max. kg)	Wheel material	Wheel size	Article number
TKS70-220/70 AC	150	solid rubber + sheet metal rim + needle bearing	220×70	6D5406.001
TK70-280/70 AC	150	solid rubber + sheet metal rim + slide bearing	280×66	6D6528.001

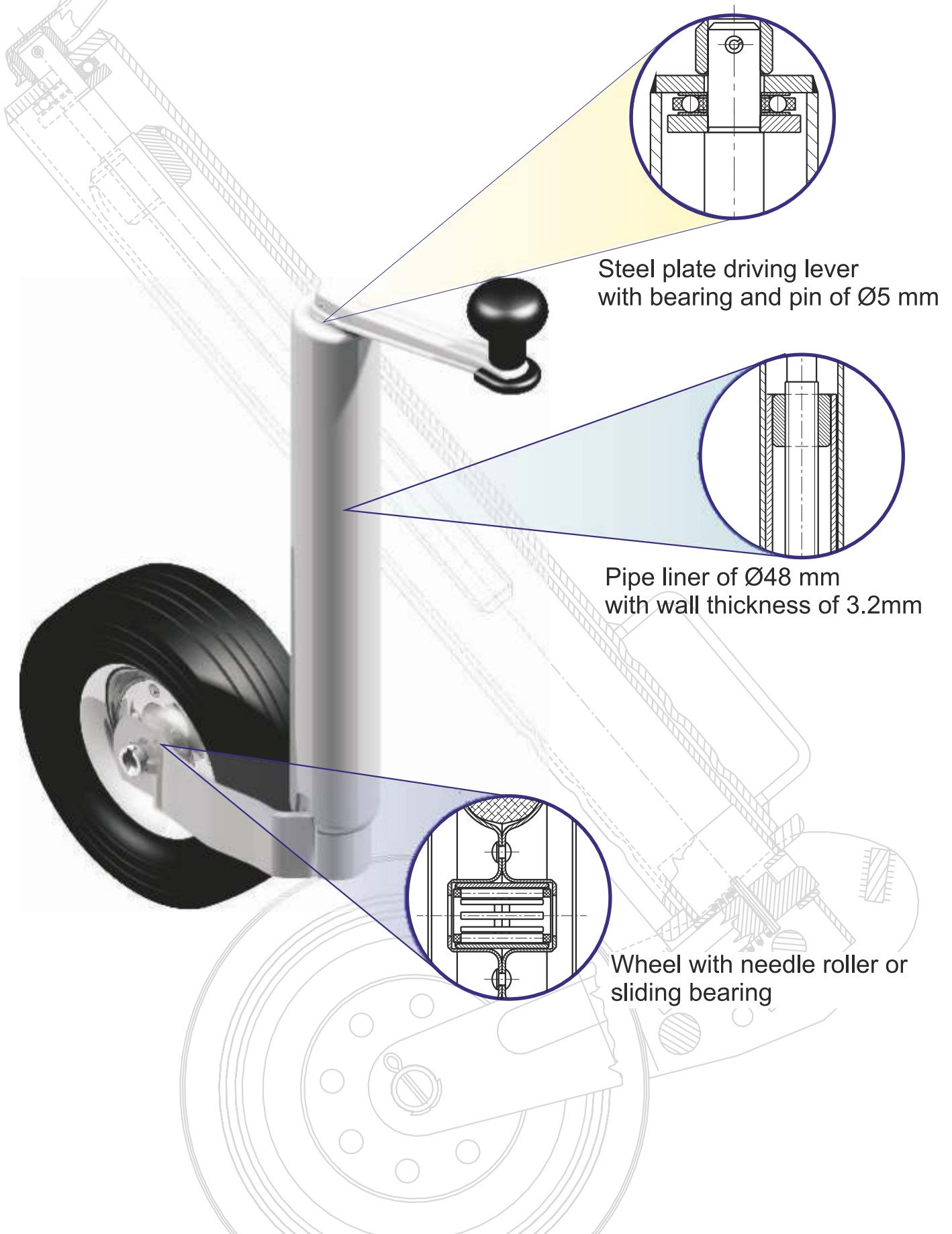


round

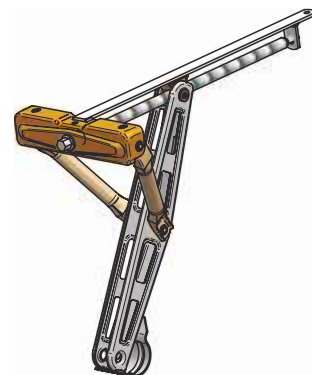
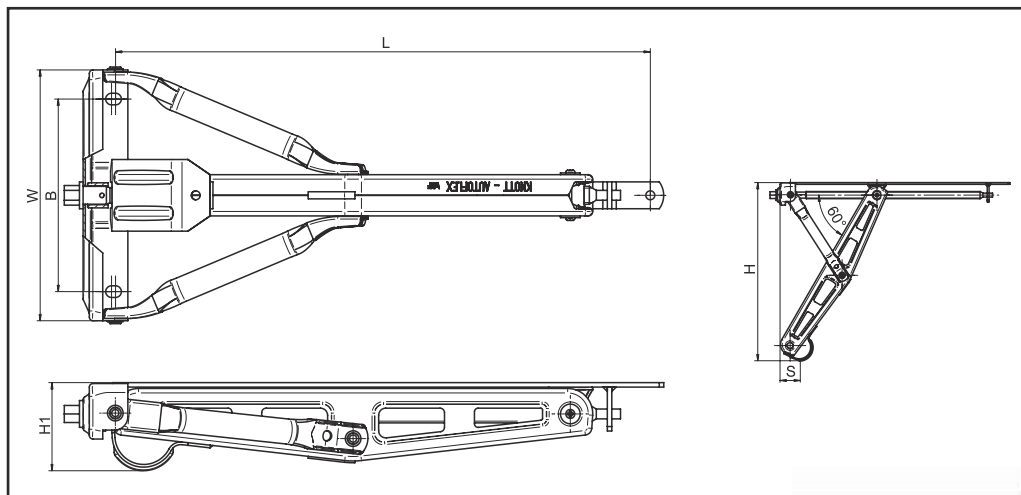
TK70-280/70 AC



STANDARD JOCKEY WHEELS WITH GREAT ADVANTAGES



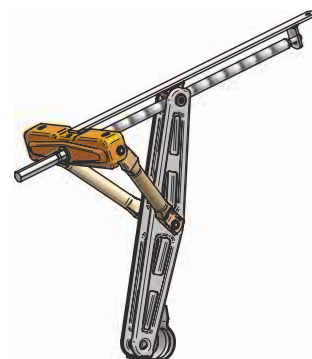
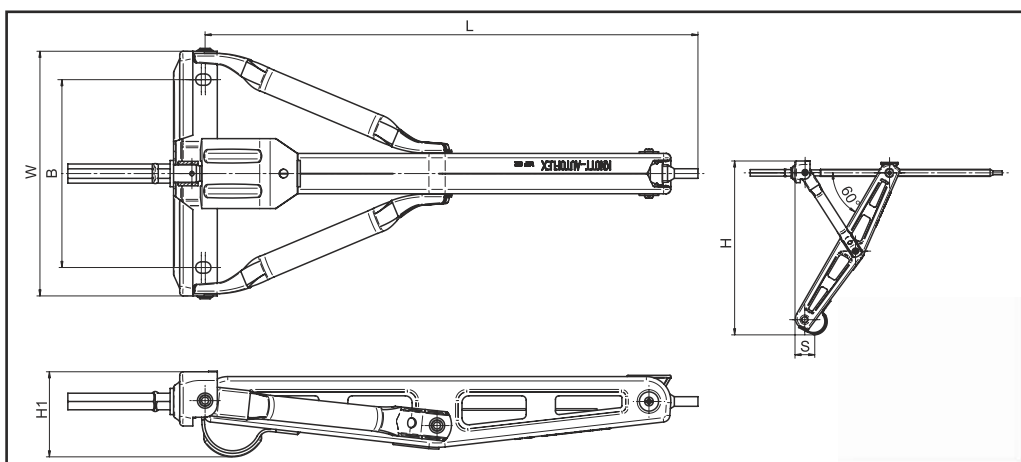
SUPPORT LEG FOR CARAVANS



Product can be used for: trailers, caravans, horse trailers

Advantages of the product:

- stabilizes the trailer
- disencumbers the axle
- supports the trailer
- big ranch of usability
- 60° slue out
- universal crank



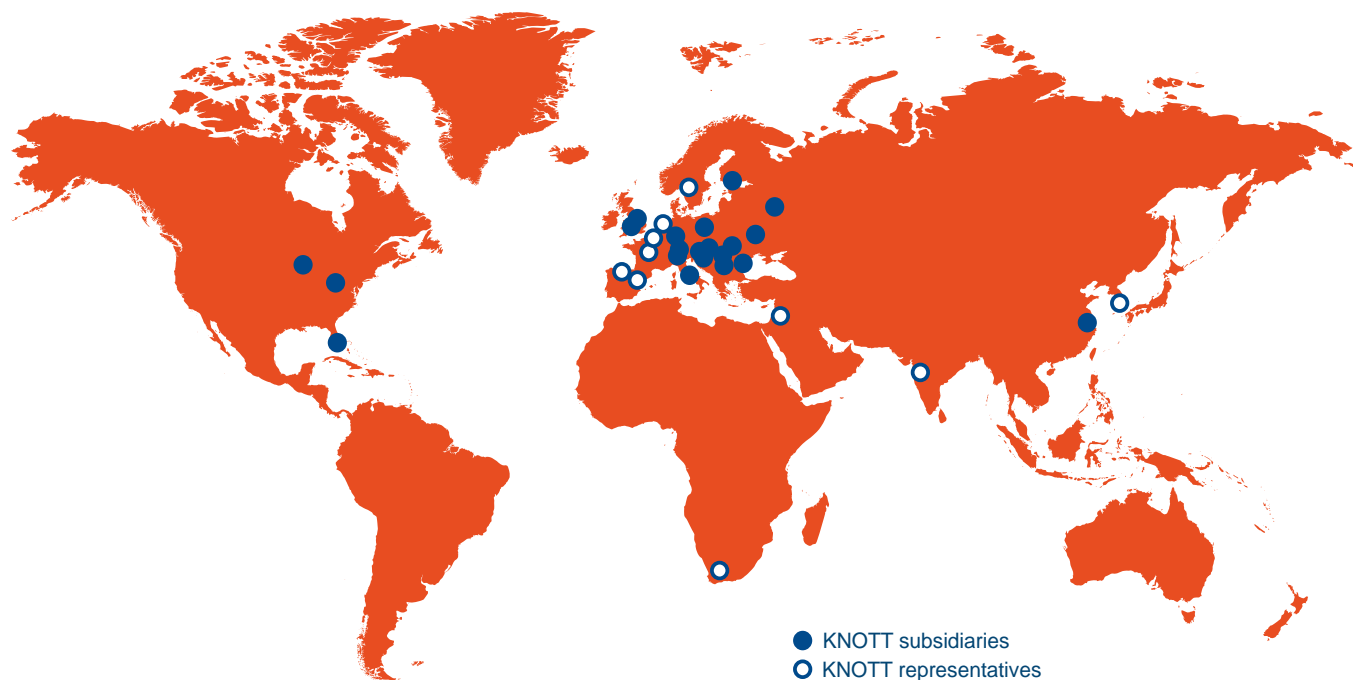
Load capacity: 1100 kg/ pcs (for a caravan with 4 support leg makes it possible to load the vehicle with 4400 kg)

Surface treatment: hot dip galvanization



Type	Vertical load (max. kg)	L (mm)	W (mm)	B (mm)	H1 (mm)	H (mm)	S (mm)	Article number
WHF001	900	564	280	215		457	115	6X1197.001
WHF002	1100	564	280	215	97	497	53	6X1197.002
WHF003	1100	597	280	215	97	497	57	6X1197.003
WHF004	1100	595,5	280	215	117	517	57	6X1197.004
WHF005	1100	564	280	215	97	497	56	6X1197.005
WHF006	1100	597	280	215	98	497	57	6X1197.006

There is no trailer without us



The Knott Group - global competency

The member companies of the Knott Group design, develop, produce and market braking systems for commercial and off-highway vehicles together with running gear components for trailers.

Competent, one-to-one consulting and outstanding product quality are characteristic of all the companies within the Group.

KNOTT's own production plants and branch offices are supported by a world-wide dealership network.



www.autoflex.ro

KNOTT GROUP
BRAKE AND TRAILER TECHNOLOGY

Presented by:

AUTOFLEX SRL

Tel.: (+40) 259/373-495 Fax: (+40) 259/406-748
RO-415500 Salonta - Sos. Aradului km 75+300 - Romania
web: www.autoflex.ro e-mail: info@autoflex.ro